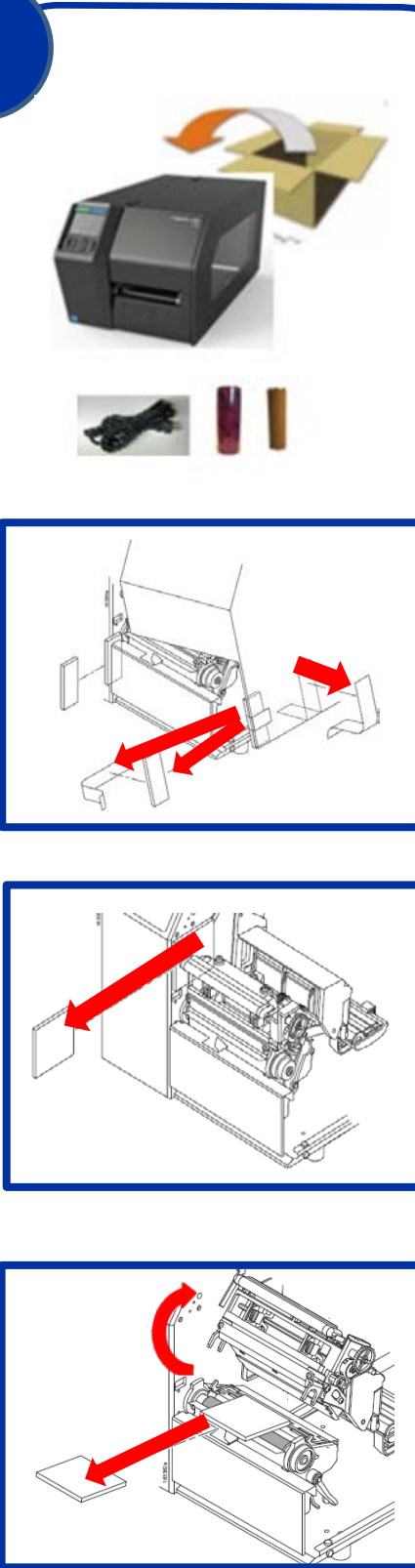


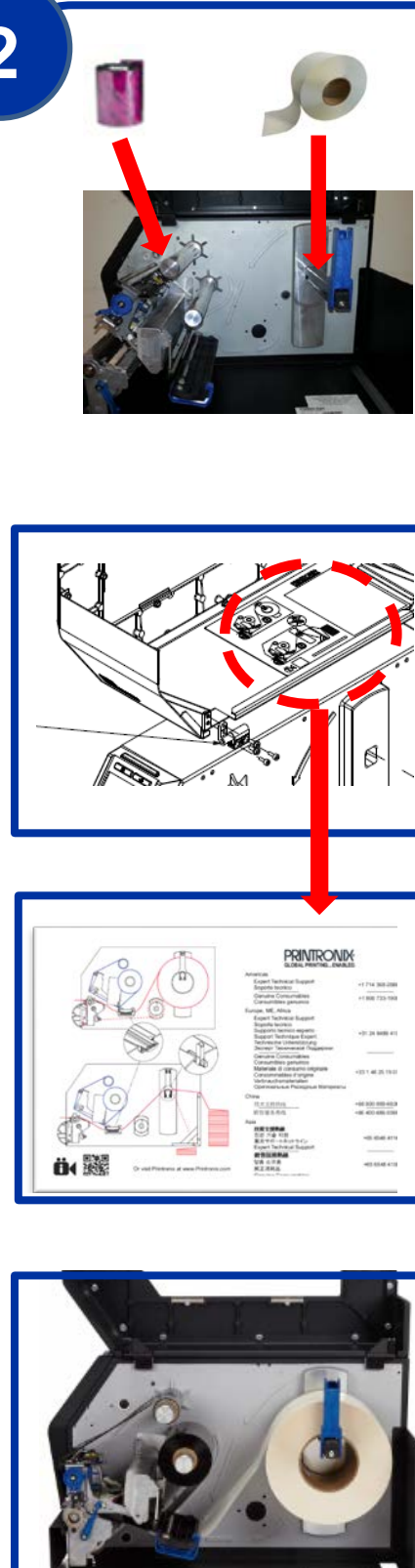
User's Setup Guide, T8000 Series

1



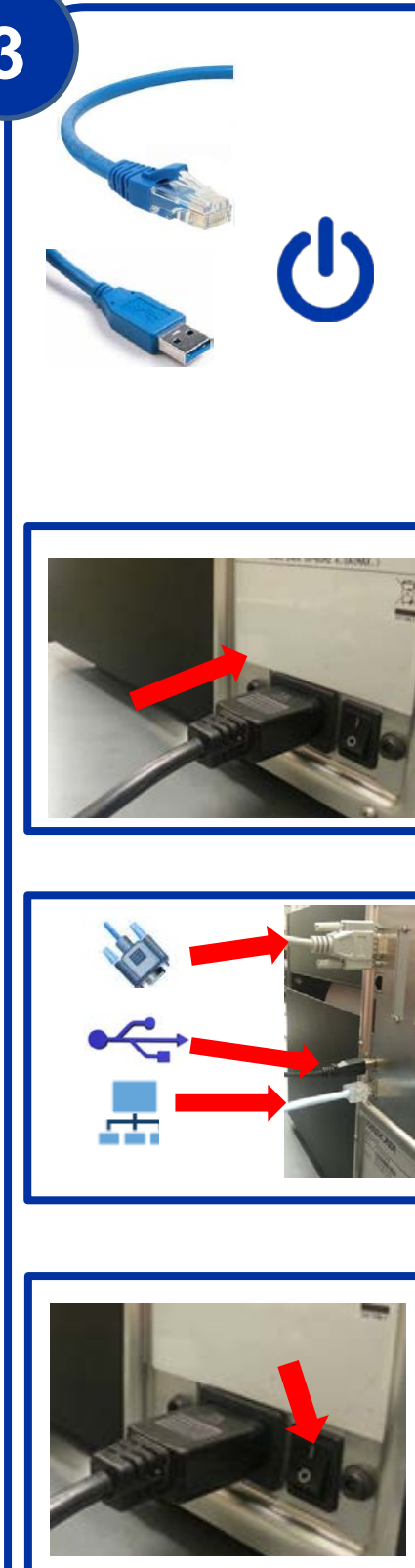
1. Unboxing and initial setup. Includes a photo of the printer and accessories, and three diagrams showing the printer being opened and the front cover being removed.

2




2. Loading the label roll. Includes a photo of the roll being inserted, a diagram of the roll being loaded, and a photo of the roll in place.

3



3. Connecting cables and power. Includes photos of the power and data cables being plugged into the printer.

4



4. Running the setup wizard. Includes a photo of the printer's control panel displaying the "Printer Setup WIZARD" menu.

5



5. Accessing support resources. Includes a QR code, the website www.theprinterplace.com, and icons for a folder, PrintNet enterprise suite, a help manual, and a video.