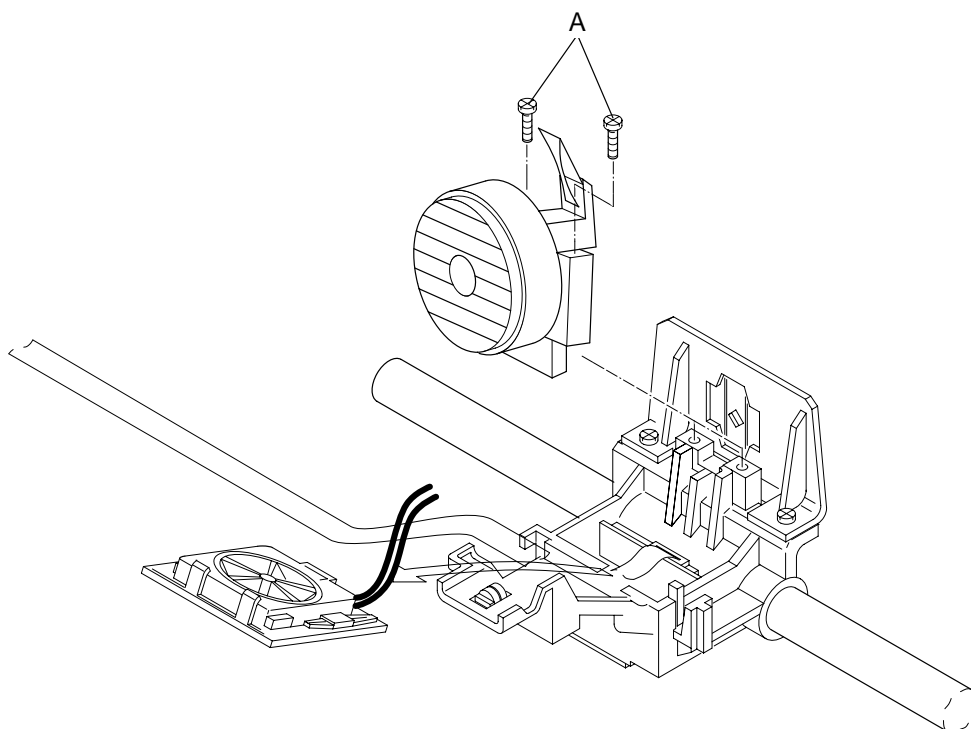


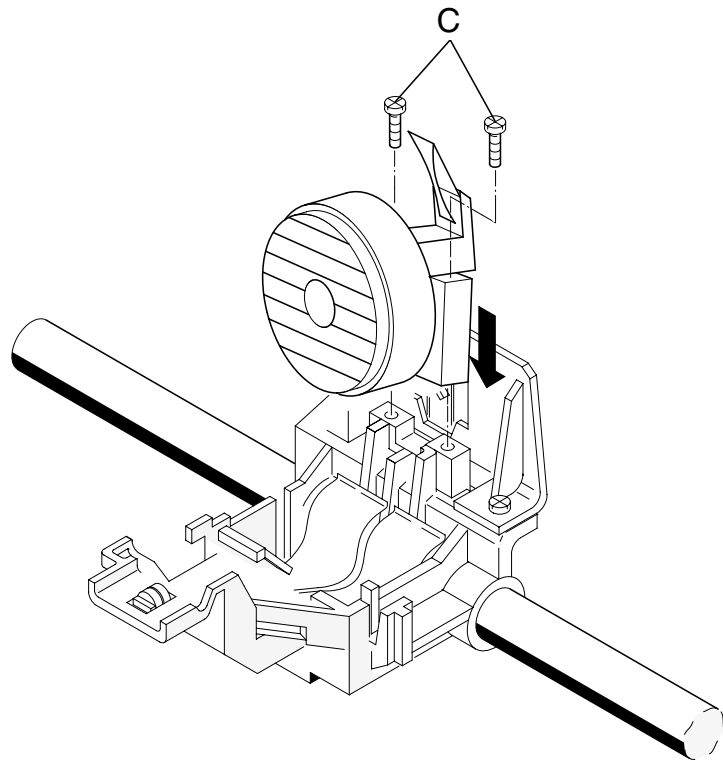
**5.2
Printhead****5.2.1
Removing the
Printhead**

- Remove the top cover
- Lift upper friction
- Unlock the screws "A" at the printhead
- Now lift the printhead carefully.



5.2.2**Installing the Printhead**

- Install the printhead by pressing it carefully downwards.
- Be sure the head connector fits correctly.
- Lock the printhead “C”.

**Caution (T2170/T2280 only):**

After installing printhead make sure to calibrate the temperature of the head. For further details see chapter 6 “Adjustments”.