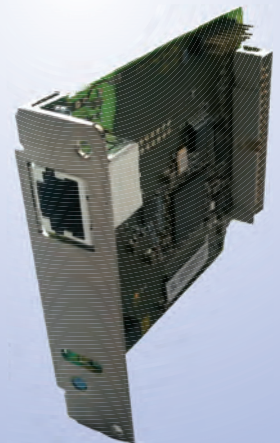




Installation Guide

7106 7206 7010
Ethernet Interface



This guide explains how to install the Ethernet LAN card in your label printer.

You should consult your dealer or distributor for more information if you are not completely sure of how to perform this operation.

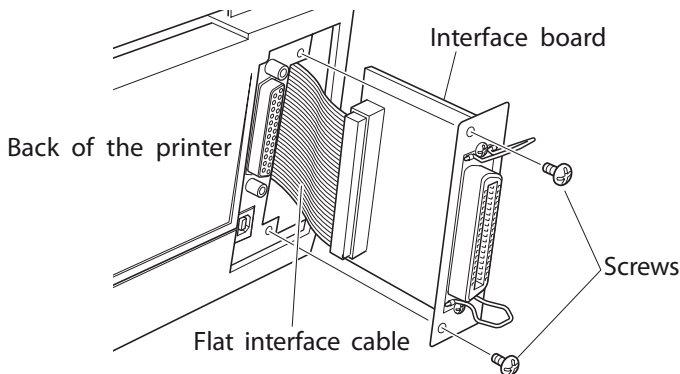


Caution

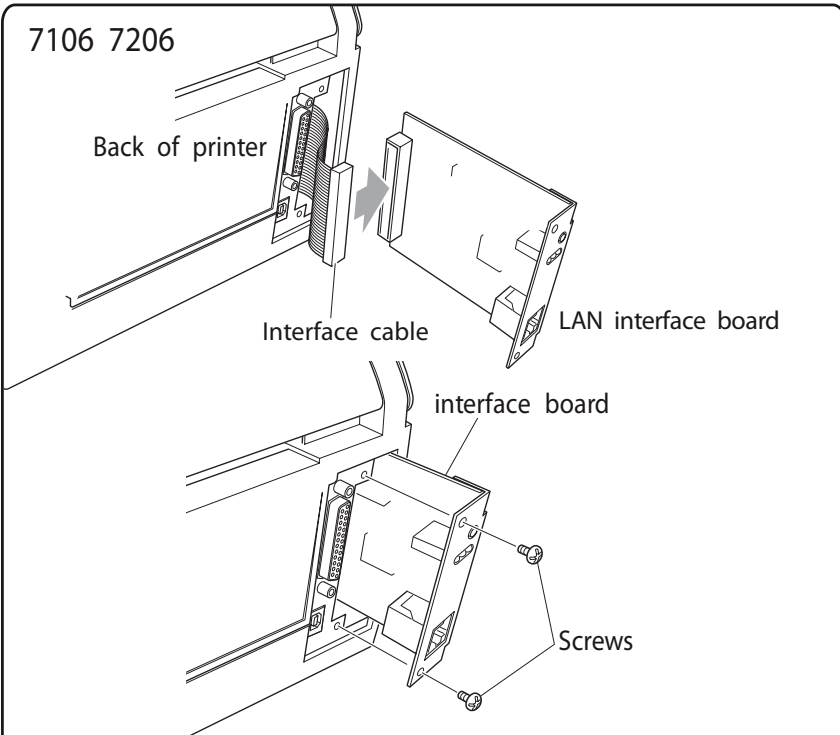
Always turn off the power to the printer and remove the power cord before replacing the interface board.

Replacing the Interface Board

1. Remove the two screws that fix the bracket of the parallel interface board to the printer. Then gently pull the interface board towards you. When you do this, be careful not to catch or damage the connecting cable. Do not pull the cable too much as this could also cause damage.



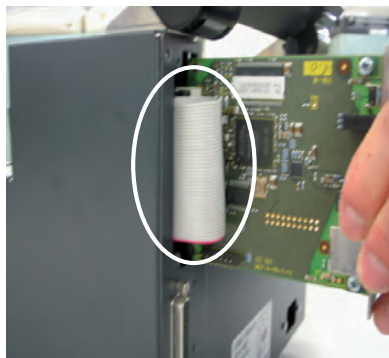
2. Remove the connecting cable from the interface board and reconnect the cable to the connector of the new interface board.
3. Insert the interface board into the printer so that the connecting cable does not catch on the printer. The new board is slightly larger than the original board, so the interface cable will need to be tucked in carefully.
4. Use the two screws that you removed to re-fix the bracket in place.



7010

Attention:

Please insert the Ethernet board by bending the cable as shown in the picture.



Testing the Interface Board

5. To test the interface board's correct operation, connect the power cord and the ethernet cable to the printer, insert some standard media, preferably 4" x 4" labels, (100mm x 100mm), then switch on the power.
6. Briefly press the blue button visible on the new interface's bracket. This will produce an "network self-test page". If you have an ethernet cable connected the "network self-test page" will show you details of any network parameters already configured.

```
Status Page PRINTSERVER
-----
General Status
Print server model   : PRINTSERVER
Serial number       : 19720090600458
Software version    : 10.2.329 (developer version)
Hardware version    : 1.0
Hardware address    : 00:c0:eb:0c:61:4f
Network             : 100BaseTX FULL (negotiated)
Date and time      :
Service Information : /286/29/2.4.265/85/848d.0/3cecf.0

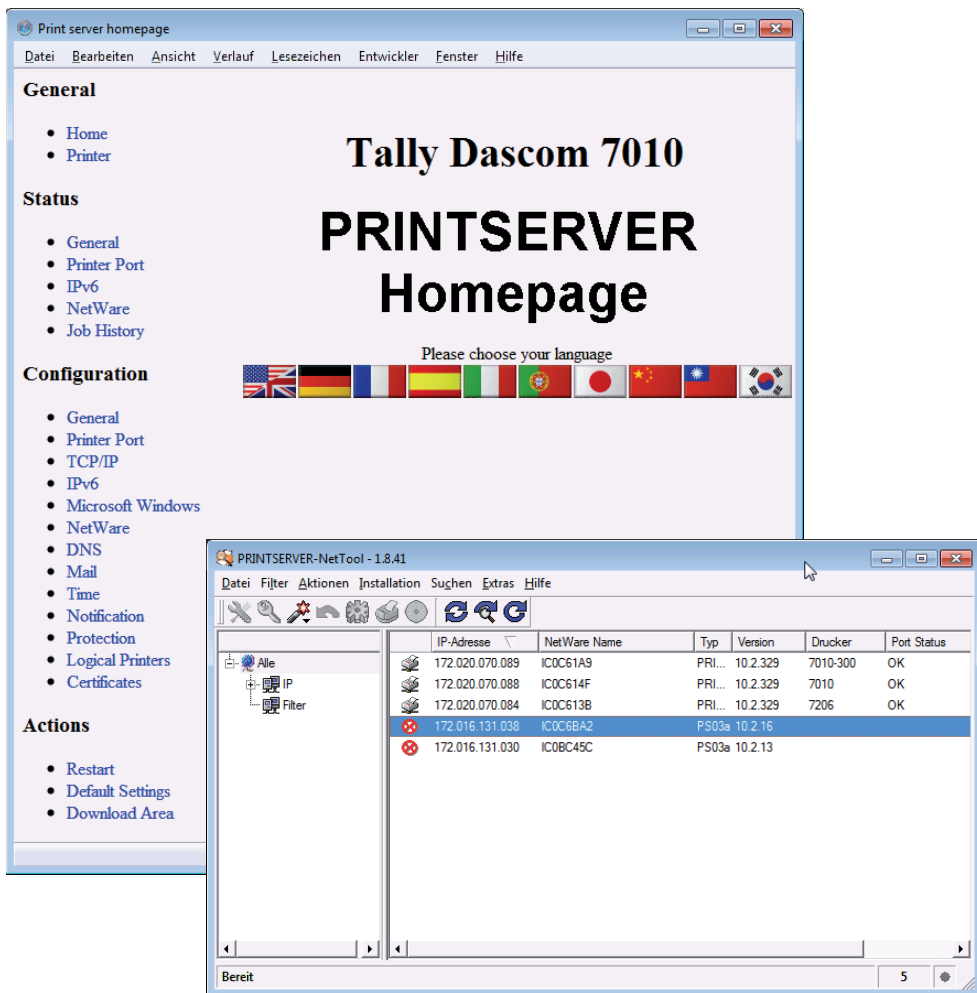
TCP/IP
IP address          : 172.020.070.088 (via HTTP)
Subnet mask        : 255.255.000.000
Gateway            : 172.020.000.253
ARP/PING           : ON
BOOTP              : OFF
DHCP               : OFF
ZeroConf           : ON

IPv6
IPv6               : ON
IPv6 addresses     : fe80::2c0:ebff:fe0c:614f

Novell
Novell name        : IC0C614F
Print server mode  : ON
R/N printer        : ON
```

Configuring the Interface using Explorer

8. To configure the network board, you can use the “PrintServer Network Tools” included on the CD supplied with the printer. However, the easiest way to configure the board is to use a Web Browser, such as Internet Explorer, running on a PC connected to the same network.



9. If you have a “DHCP Server” operating on your network (a system that ‘gives out’ network addresses to new equipment), you can easily find out the address allocated to the printer by briefly press the blue button visible on the network board’s bracket. This will generate the “network self-test page”, shown on the previous page.

10. On the self-test, under the TCP/IP section, there will be a line saying "IP address" together with four groups of digits separated by dots. It should also say "assigned by DHCP" next to it.
11. Start "Internet Explorer" or a similar web browser on a PC connected to the same network. When entering this network address, you should remove the 'leading zeros' on the address. So for example you have to type "192.168.0.65" in to the address bar.
12. To 'force' a new IP address for the printer, click on the TCPIP menu under the configuration section. Type in the new address in the 'IP address' line and adjust any other parameters. It is also very important that you untick the DHCP box, otherwise the printer will continue to take its address from the DHCP server, rather than using the new address you typed in.
For further information, please contact our local administrator.

For sales or technical support call **The Printer Place**

Tel.: +1 800 243 3338 www.theprinterplace.com

© June 2013 DASCOT Europe GmbH